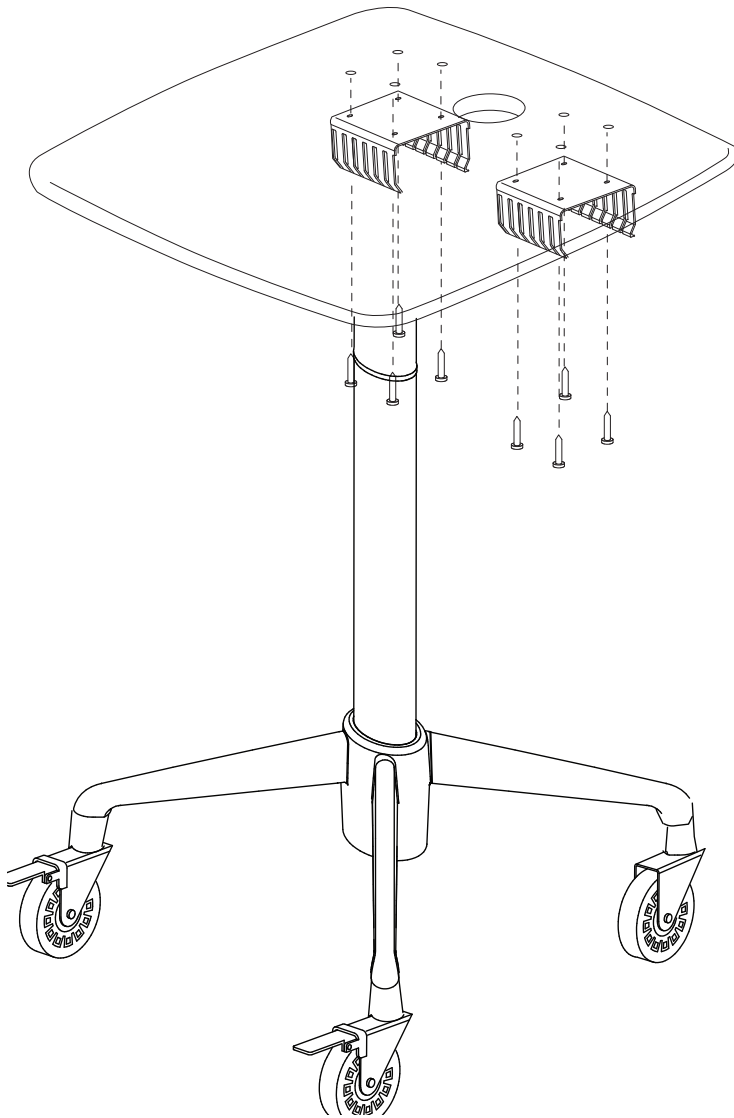


Tools required:
Phillips Head Screwdriver

Parts Included:
(2) Cable Management Holders

- 1 Remove top of Cable Management Holder. Attach Cable Management Holder to bottom of worksurface using (4) screws.



- 2 Reattach top of Cable Management Holder by snapping in place.

