

Tools required:
#2 Phillips Drive Screw driver or #2 Square bit drive

Parts Included:
(1) Power Cord
(1) Cord Hook Bracket
(2) #10 x 3/4" Long Pan Head Phillips Drive Recex Low Root Screws
(1) 1/4-20 x 5/8" Long Pan Head Phillips Drive Machine Screws
(1) Cord Clamp

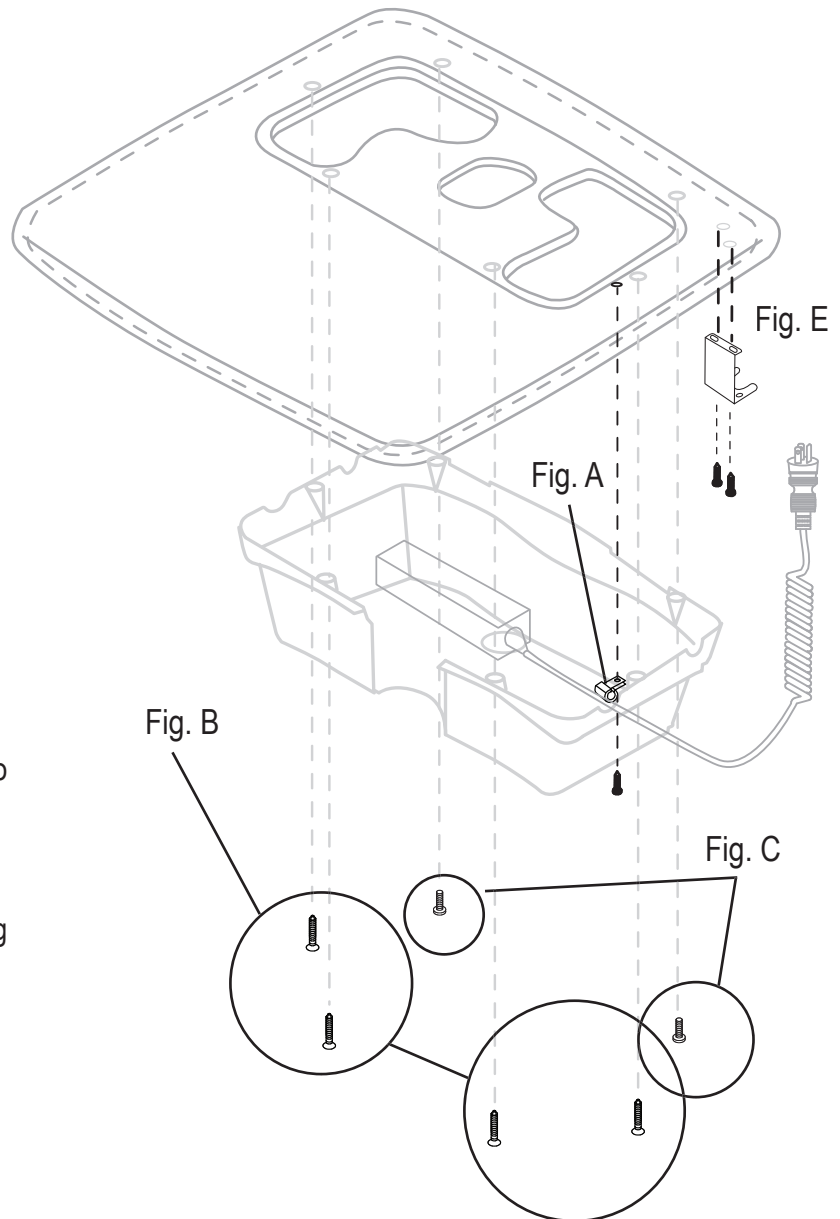
INSTALLATION WITH WORK SURFACE AND CORD TRAY:

- 1 Arrange Power Cord within Cord Tray (See Fig.A)
- 2 Fasten Power Cord from underneath the worksurface by fastening cord with cord clamp with 1/4-20 x 5/8" Long Pan Head Phillips Drive Machine Screw.
- 3 From underneath the worksurface, align cord tray with pre-drilled holes in worksurface.

Once aligned, fasten (4) #10 x 3/4" Long Pan Head Phillips Drive screws into the front (4) four locations (See Fig. B).

Finish attachment by placing and attaching last two (2) #10-24 x 7/8" Long Pan Head Phillips Drive Screws into the back side of cord tray (See Fig. C)

- 4 Attach Cord Hook from underneath the worksurface using (2) #10 x 3/4" Long Pan Head Phillips Drive Recex Low Root Screws (See Fig.E)



Tools required:
#2 Phillips Drive Screw driver or #2 Square bit drive

Parts Included:
(1) Power Cord Set
(1) Cord Hook Bracket
(2) #10 x 3/4" Long Pan Head Phillips Drive Recex Low Root Screws
(1) 1/4-20 x 5/8" Long Pan Head Phillips Drive Machine Screws
(1) Cord Clamp

INSTALLATION WITH WORK SURFACE ONLY

- 1** Fasten Power Cord from underneath the worksurface by fastening cord and cord clamp with 1/4-20 x 5/8" Long Pan Head Phillips Drive Machine Screw (See Fig. A)
- 2** Attach Cord Hook from underneath the worksurface using (2) #10 x 3/4" Long Pan Head Phillips Drive Recex Low Root Screws (See Fig.B)

