

Tools required:
#2 Phillips Drive Screw driver or #2 Square bit drive

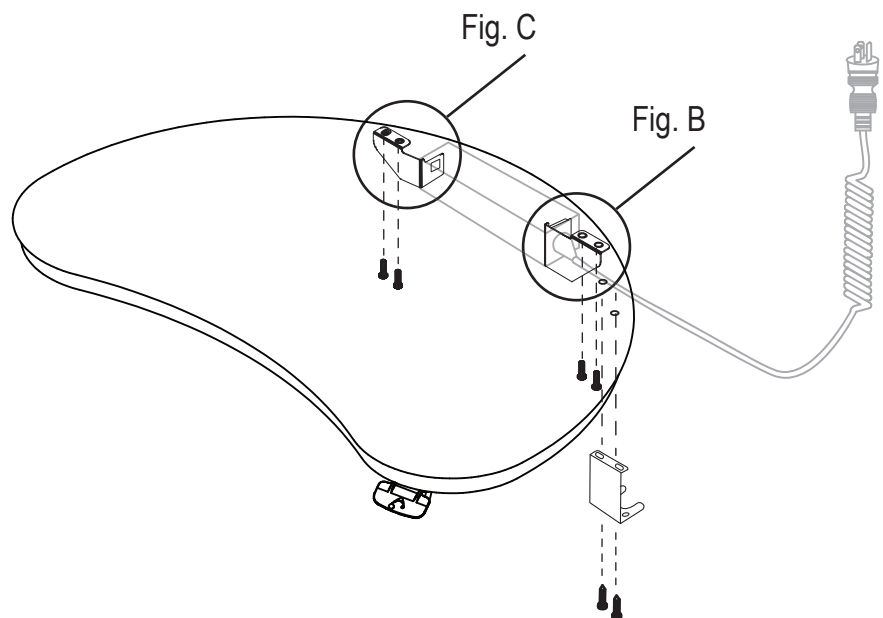
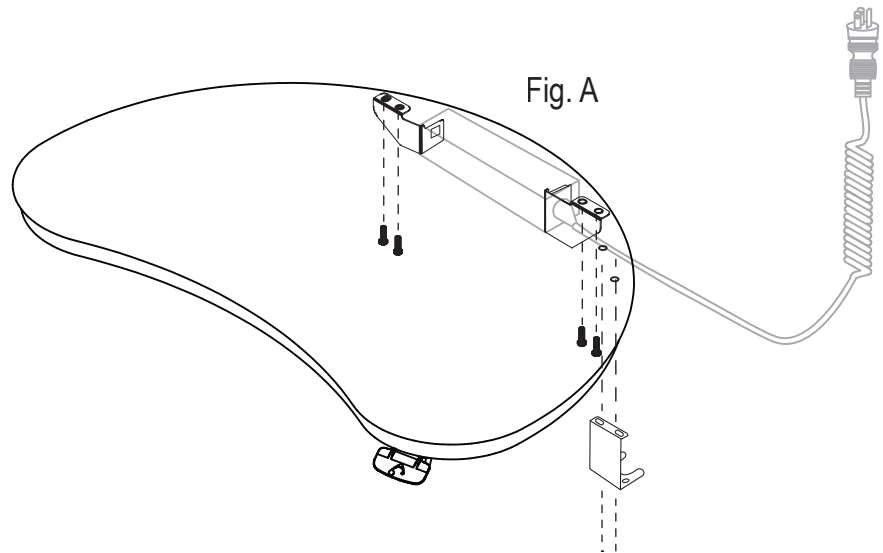
Parts Included:
(1) Power Cord Set
(1) Cord Hook Bracket

Part Included Continued:
(1) Power Cord Bracket Set
(4) #10 x 3/4" Long Pan Head Phillips Drive Recex Low Root Screws
(2) 1/4-20 x 5/8" Long Pan Head Phillips Drive Machine Screws
(1) Cord Clamp

1 Before attaching the Power Cord Set and brackets to worksurface, arrange brackets onto power cord. (See Fig.A)

2 While holding brackets in place, fasten left-handed bracket from underneath the worksurface. Align with pre-drilled holes and fasten (2) #10 x 3/4" Long Pan Head Phillips Drive screws into the (2) four locations (See Fig. B).

3 Finish attachment by aligning remaining pre-drilled holes and fasten (2) #10 x 3/4" Long Pan Head Phillips Drive screws into the (2) four locations (See Fig. C).



Tools required:
#2 Phillips Drive Screw driver or #2 Square bit drive

Parts Included:
(1) Power Cord Set
(1) Cord Hook Bracket

Part Included Continued:
(1) Power Cord Bracket Set
(4) #10 x 3/4" Long Pan Head Phillips Drive Recex Low Root Screws
(2) 1/4-20 x 5/8" Long Pan Head Phillips Drive Machine Screws
(1) Cord Clamp

- 4** Attach cord clamp with one (1) #1/4 20 x 5/8" Long Pan Head Phillips Drive Screw into the back side of cord tray (See Fig. D)
- 5** Attach Cord Hook from underneath the worksurface using (2) #10 x 3/4" Long Pan Head Phillips Drive Recex Low Root Screws (See Fig.E)

