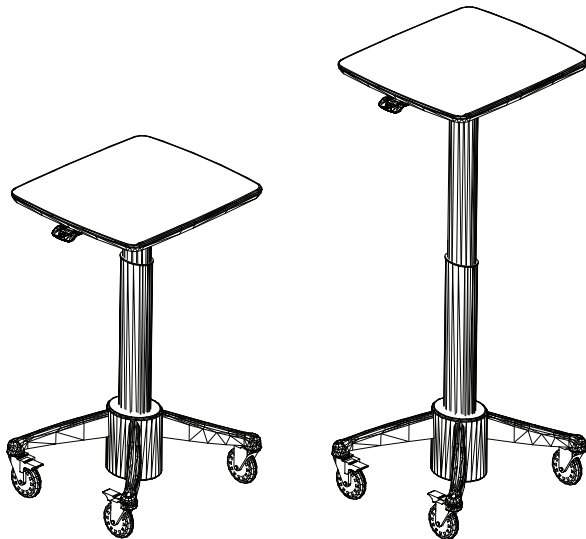


Warning: Please Use Extreme Caution!

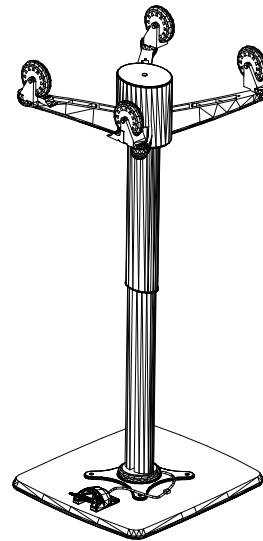
Tools required:
 Phillips Drive Screw driver
 7/32 Allen Wrench

Parts Included:
 (1) Cart Handle
 (4) 3/8"-16 x 3/4" Long Flat Head Socket Cap Screws
 (4) #10 x 1" Long Pan Head Phillips Drive Particle Board Screws

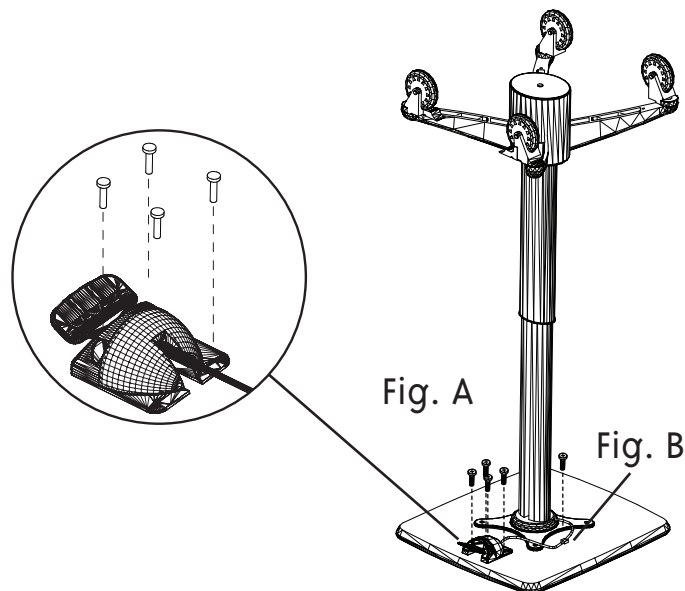
1 Extend cart to the highest position



2 Place cart, upside down, on a soft surface such as cardboard, rug, etc.



3 Remove (4) screws from paddle release assembly (Fig. A) and (1) screw holding cable clip (Fig. B) using a small phillips drive screwdriver.

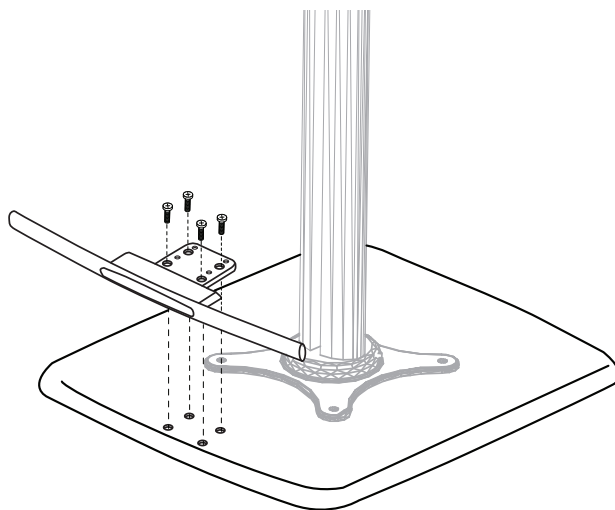


Warning: Please Use Extreme Caution!

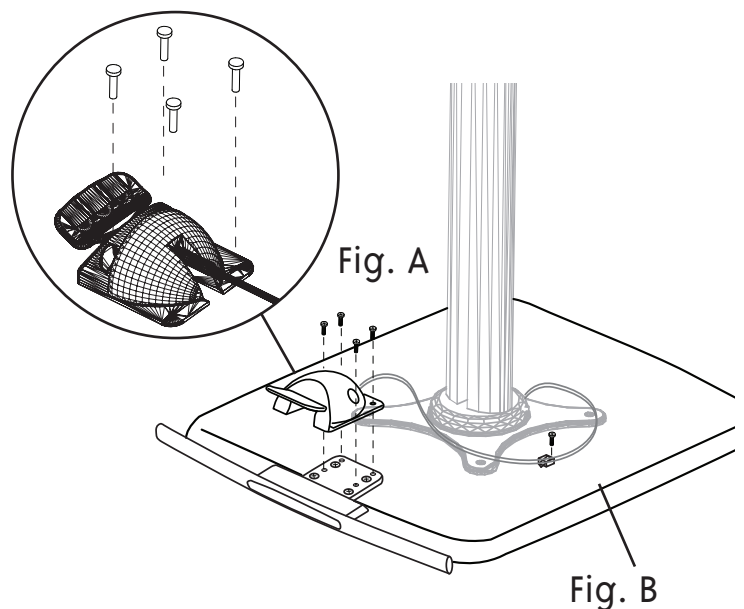
Tools required:
 Phillips Drive Screw driver
 7/32 Allen Wrench

Parts Included:
 (1) Cart Handle
 (4) 3/8"-16 x 3/4" Long Flat Head Socket Cap Screws
 (4) #10 x 1" Long Pan Head Phillips Drive Particle Board Screws

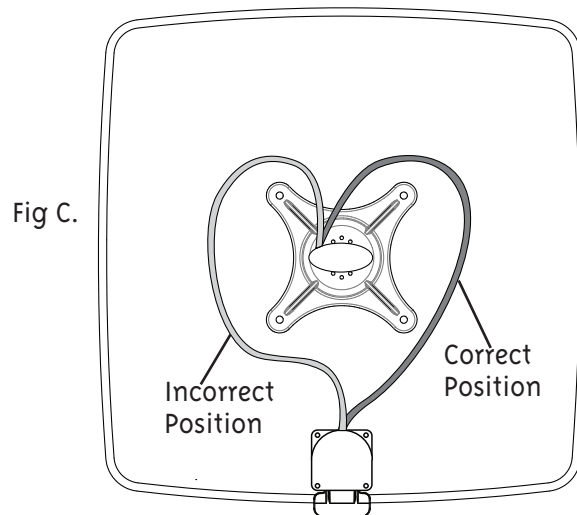
- 4** Install handle to worksurface.
 Attach with (4) 3/8-16 x 3/4" Long Flat Head Socket Cap screws.



- 5** Install paddle release assembly to handle.
 Attach (4) screws holding paddle (See Fig A.) and (1) screw holding cable clip (see Fig. B) using a small phillips drive screwdriver.



- 6** Note: There is a specific direction of routing the paddle cable. If cable is routed incorrectly, it will cause the cable to improperly bend causing the paddle to operate incorrectly (See Fig C).



Warning: Please Use Extreme Caution!

WARNING: THE CARTRIDGE ASSEMBLY IS **SPRING LOADED** AND WILL EXPAND OR LENGTHEN VERY RAPIDLY IF THE RELEASE PADDLE IS ACTIVATED. USE **EXTREME CAUTION** DURING THE ASSEMBLY PROCESS TO **PREVENT INJURY**.

WARNING: TO AVOID INJURY, KEEP YOUR HEAD AND OTHER BODY PARTS AWAY FROM THE BOTTOM OF THE INVERTED CARTRIDGE ASSEMBLY. IF THE RELEASE PADDLE IS ACTIVATED, THE CARTRIDGE ASSEMBLY EXPANDS OR LENGTHENS VERY RAPIDLY.

WARNING: THE **PLASTIC SAFETY BANDING** ON THE CARTRIDGE IS FOR **SAFETY PURPOSES**. FOLLOW INSTRUCTIONS AND **DO NOT REMOVE BANDING** UNTIL THE PROPER INSTALLATION STEP.

WARNING:: DO NOT ATTEMPT TO DISASSEMBLE OR SERVICE THE CARTRIDGE ASSEMBLY. CONTENTS ARE SPRING LOADED AND ASSEMBLED UNDER PRESSURE. FAILURE TO COMPLY WITH THIS WARNING COULD RESULT IN SEVERE INJURY. Unauthorized disassembly of the Cartridge voids warranty.