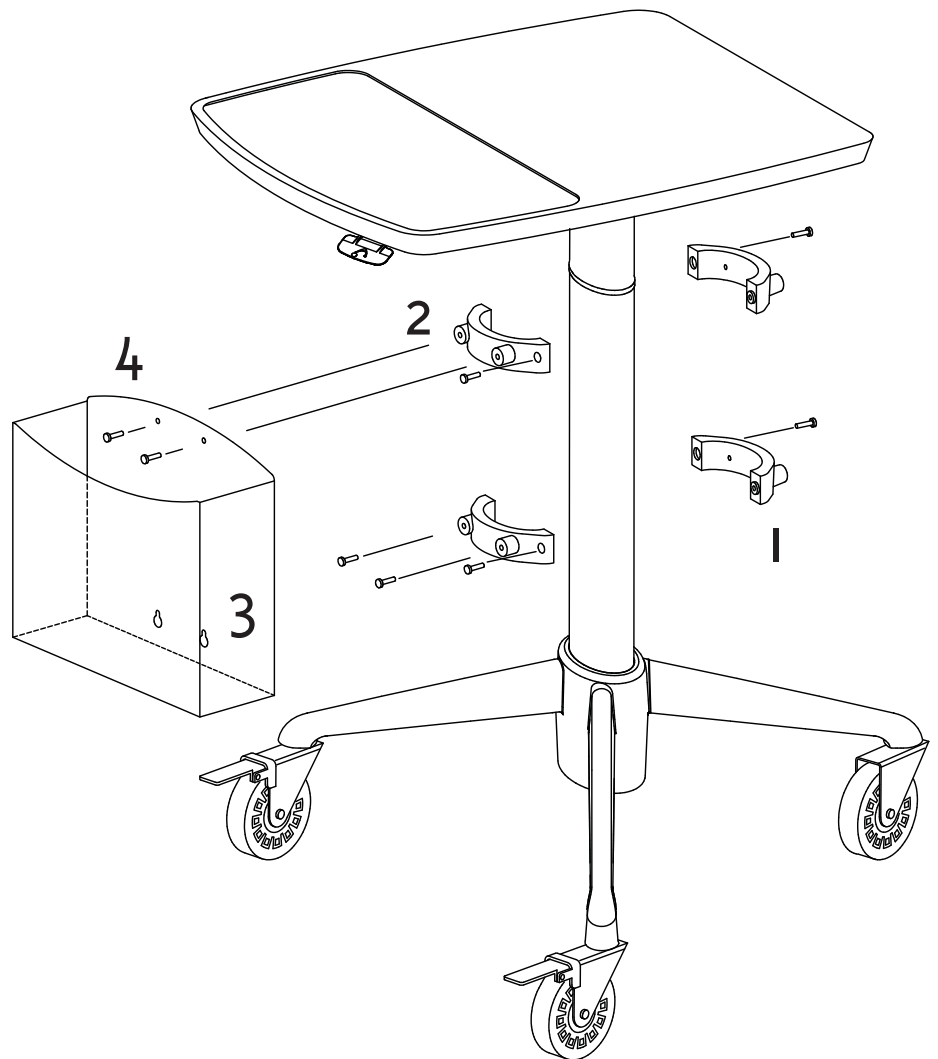


Tools required:  
#2 Phillips Drive Screw driver or #2 Square bit drive

Parts Included:  
(1) Hanging File Folder  
(2) Sets of Mounting Bracket Assemblies  
(4) 10-24 x 7/8" Long Phillips Drive Pan Head Machine Screws  
(4) 10-24 x 1" Long Phillips Drive Pan Head Machine Screws

## For Cart Column Installation:

- 1** Measuring up 2" from the top of the hub, attach 1 set of Accessory Mounting Brackets using (2) 10-24 x 1" Long Phillips Drive Machine Screws.
- 2** Attach second set of Accessory Mounting Brackets above first set. The height of second set is determined by the hole pattern in Hanging File Holder.
- 3** Slip the HFH (Hanging File Holder) accessory onto the lower accessory mounting bracket thru the keyhole slots.
- 4** Attach HFH (Hanging File Holder) accessory securely at the top with the (2) screws provided.



Tools required:  
#2 Phillips Drive Screw driver or #2 Square bit drive

Parts Included:  
(1) CPU Mounting Bracket  
(2) Sets of Mounting Bracket Assemblies  
(4) 10-24 x 7/8" Long Phillips Drive Pan Head Machine Screws  
(4) 10-24 x 1" Long Phillips Drive Pan Head Machine Screws  
(2) Cable Ties  
(1) Safety Strap

### For Wall-Mount Column Installation:

- 1** Measuring up 2" from the top of the hub, attach 1 set of Accessory Mounting Brackets using (2) 10-24 x 1" Long Phillips Drive Machine Screws.
- 2** Attach second set of Accessory Mounting Brackets above first set. The height of second set is determined by the hole pattern in Hanging File Holder.
- 3** Slip the HFH (Hanging File Holder) accessory onto the lower accessory mounting bracket thru the keyhole slots
- 4** Attach HFH (Hanging File Holder) accessory securely at the top with the (2) screws provided.

