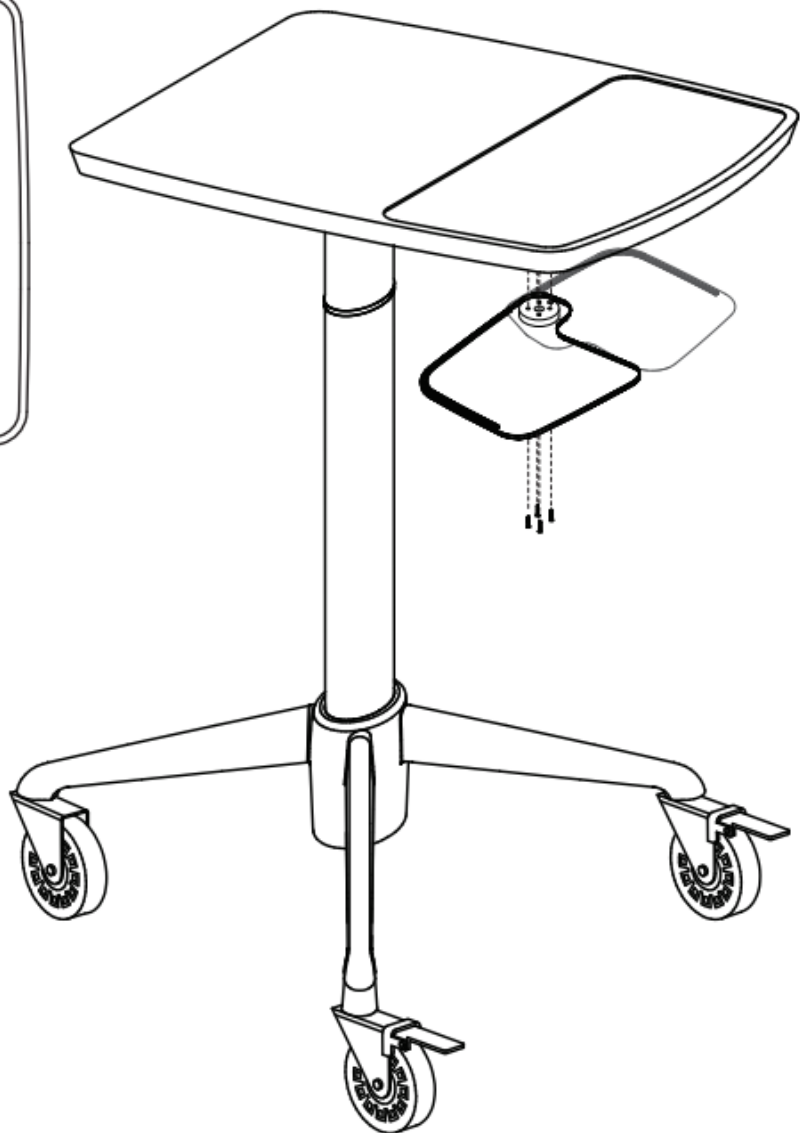
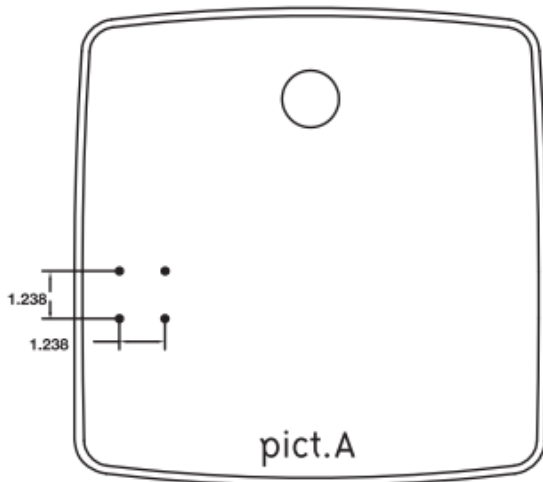


Tools Required:  
Phillips head screwdriver or #2 square drive bit

Parts Included:  
(1) SAM-3L  
(4) #10 x 1 ¼" Phillips Flat Head Screw

- 1 Position SAM-3L on the indicated holes on the underside of the surface (picture A). Attach the SAM-3L to the worksurface using the screws provided.



*If you have any questions, contact Altus at [service@altus-inc.com](mailto:service@altus-inc.com) or (616) 233-9530. If immediate assistance is needed, please call as soon as possible so we may help.*