

Tools Required:  
Phillips Head Screwdriver  
Tape Measure  
Utility Knife  
Pencil

Parts Included:  
(1) PT-MPS-6  
(4) #10-24 x 7/8" Phillips Pan Head Screws

Each Clio cart is equipped with a cable management enclosure. On the enclosure, there is an adhesive cover, which can be cut and peeled off to expose fastening holes for column mounted accessories. Depending on the location, follow the appropriate steps below.

**1****For top mounted accessories:**

From the top of the cover, measure down 2.5" and mark a line across the cover (figure 1). Using a utility knife, cut the cover along the line and peel the portion above the cut off to expose 2 screws and 2 fastening holes. Using the screwdriver, remove the 2 screws that were exposed.

**For bottom mounted accessories:**

From the bottom of the cover, measure up 3" and mark a line across the cover. Using a utility knife, cut the cover along the line and peel the portion below the cut off to expose 2 screws and 2 fastening holes. Using the screwdriver, remove the 2 screws that were exposed.

**2**

Align the holes of the PT-MPS-6 with the 4 holes currently shown on the enclosure. Using the screwdriver, secure the PT-MPS-6 using the 4 #10-24 x 7/8" screws provided (figure 2).

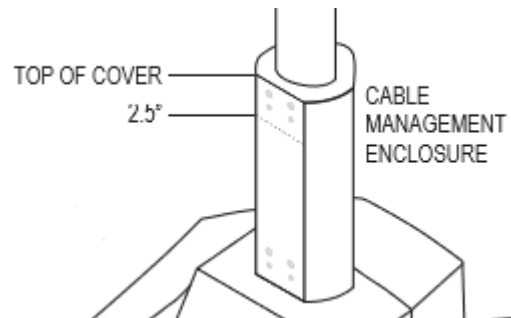


Figure 1. A line marked across the cable management enclosure to assist in exposing the top 4 holes.

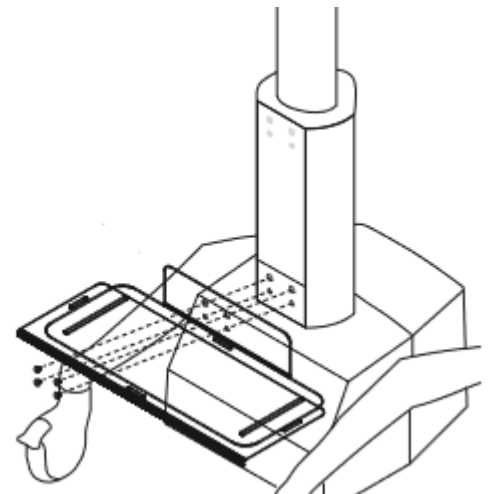


Figure 2. The PT-MPS-6 being secured to the cable management enclosure.

***If you have any questions, contact Altus at [service@altus-inc.com](mailto:service@altus-inc.com) or (616) 233-9530. If immediate assistance is needed, please call as soon as possible so we may help.***