

Tools Required:  
5/32" Allen Wrench

Parts Included:  
(1) BCH-11

- 1** Remove the end of the cap at one end of the track slider (figure 1).
- 2** Slide the CPU carriage onto the track by aligning the "T-nuts" so they fit accordingly into the slots.
- 3** Using the 5/32" Allen wrench, secure the carriage to the track by tightening the four flat head screws (figure 2).
- 4** Replace the end cap that was removed in step 1.

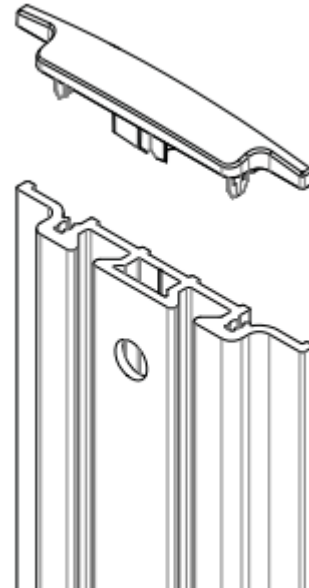


Figure 1. The end cap being removed.

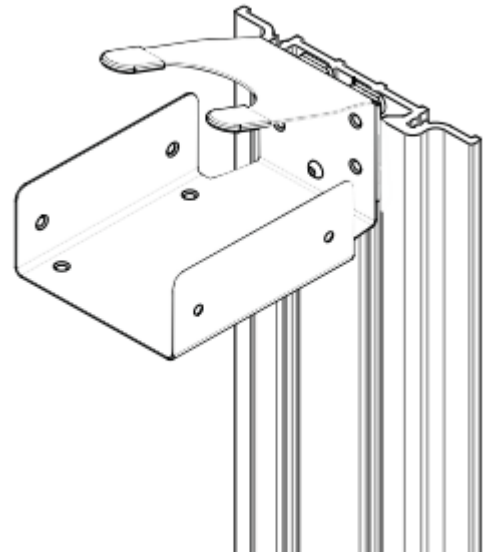


Figure 2. The BCH-11 secured to the track.

***If you have any questions, contact Altus at [service@altus-inc.com](mailto:service@altus-inc.com) or (616) 233-9530. If immediate assistance is needed, please call as soon as possible so we may help.***