

Tools Required:
Tape Measure
Phillips Head Screwdriver

Parts Included:
(1) DS2
(8) 10-24 x 7/8" Phillips Pan Head Screws
(8) 10-24 x 1" Phillips Pan Head Screws
(4) Sets of Accessory Mounting Brackets
(4) Bins
(8) Bin Dividers

1 Measuring 2" down from the top of the column, attach (1) set of the accessory mounting brackets to the column using (2) 10-24 x 1" Phillips pan head screws. Directly below the first set of accessory mount brackets, attach the second set of accessory mounting brackets to the column.

2 Measuring 6" down from the top of the column, attach third set of the accessory mounting brackets to the column using (2) 10-24 x 1" Phillips pan head screws. Directly below the third set of accessory mount brackets, attach the fourth set of accessory mounting brackets to the column (figure 1).

3 To fasten the DS2 to the accessory mounting brackets, the drawers need to be removed from the DS2. Remove the drawers from DS2 by pulling the left hand tab up on left drawer slide and pushing the right hand tab down on the right drawer slide (located on each side of drawer). Pull out the drawer simultaneously with the tabs disengaged.

4 Once the drawers are removed, proceed with installing the DS2 to the accessory mounting brackets. Align each set of the 4 holes located inside the back walls of the DS2 with the 4 holes on each set of the accessory mounting brackets. Insert and tighten the (8) 10-24 x 7/8" Phillips pan head screws into the accessory mounting brackets (figure 1).

Reinsert the drawers into the DS2 and onto the slides by aligning the slides. Push the slides into place (feel a couple clicks).

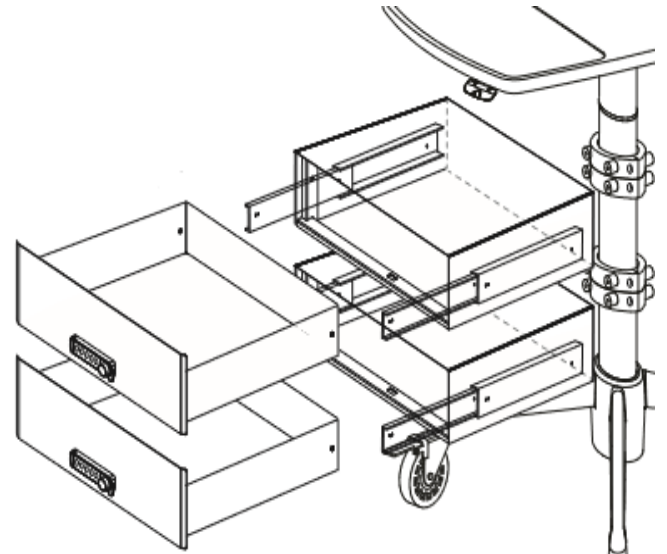


Figure 1. The accessory mounting brackets aligned on the column with the DS2.

If you have any questions, contact Altus at service@altus-inc.com or (616) 233-9530. If immediate assistance is needed, please call as soon as possible so we may help.