

Tools Required:  
Phillips Head Screwdriver

Parts Included:  
(1) MPS-6  
(4) 10-24 x 7/8" Phillips Pan Head Screws  
(4) 10-24 x 1" Phillips Pan Head Screws  
(2) Sets of Accessory Mounting Brackets

- 1** From the very bottom of the column, attach (1) set of the accessory mounting brackets to the column using (2) 10-24 x 1" Phillips pan head screws. Directly above the first set of accessory mount brackets, attach the second set of accessory mounting brackets to the column.
- 2** Align the 4 holes located on the rear section of the MPS-6 with the 4 holes on the accessory mounting brackets. Insert and tighten the (4) 10-24 x 7/8" Phillips pan head screws into the accessory mounting brackets (figure 1).

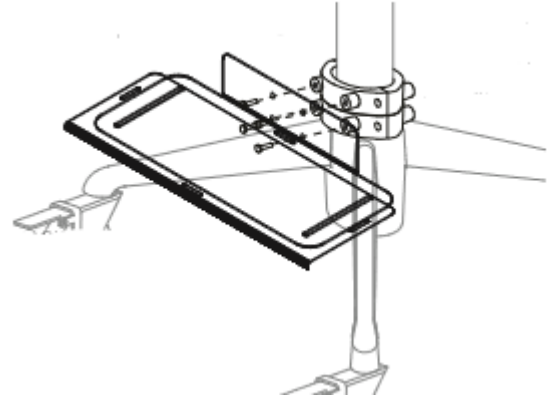


Figure 1. The accessory mounting brackets aligned on the column with the MPS-6.

***If you have any questions, contact Altus at [service@altus-inc.com](mailto:service@altus-inc.com) or (616) 233-9530. If immediate assistance is needed, please call as soon as possible so we may help.***