

Tools Required:
Phillips Screwdriver

Parts Included:
Cameo
FSA-10
½" Wrench
Serrated Nuts
Monitor Mounting Hardware

1. Upon opening the box that includes the cameo, there will be a smaller second box that holds the monitor arm. Attach the monitor arm to the cameo using the serrated nuts and ½" wrench as found in the hardware bag inside the smaller box. Figure 1 shows the mounting alignment. Ensure that the back side of the monitor arm is facing the handle. Adjust springs and mount monitor according to FSA-10 installation instructions found in the smaller box.
2. As mentioned in FSA-10 installation instructions, with rear cover detached, wire all necessary wires through the hole in the center of the FSA-10 and into the column towards the plug strip.
3. Once wiring is complete, snap the provided cable management sleeve into the column to contain all visible wires. See Figure 2.

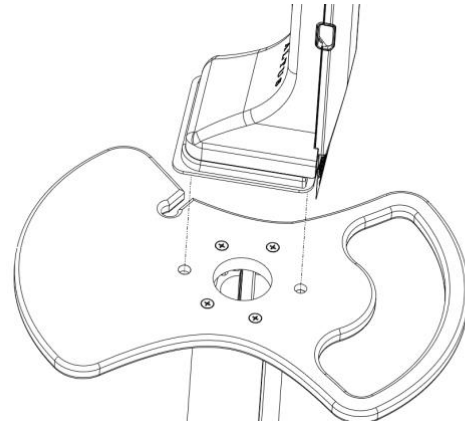


Figure 1: FSA-10 alignment on Cameo.

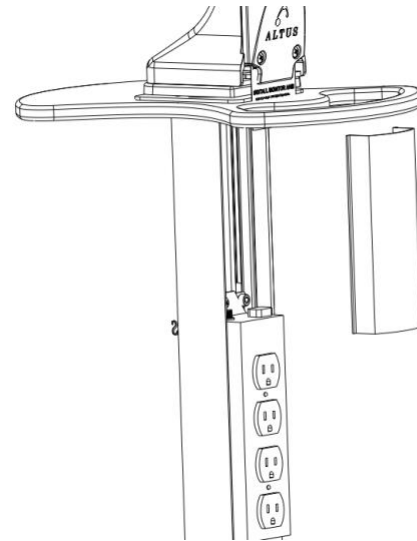


Figure 2: Snapping cable management sleeve into place.

If you have any questions, contact Altus at service@altus-inc.com or (616) 233-9530. If immediate assistance is needed, please call as soon as possible so we may help.