

Tools Required:
Philips's screwdriver
3/16" Allen Key

Parts Included:
2x Mounting Brackets
4x 1/420 T-Nut
4x 1/4-20 x 1/4" SCMS
2x #10-24 X 3/8" PHMS

1. To begin, make sure all tablets, monitors, or additional technology is removed from the cart.
2. Remove the monitor mount by removing the 2 nuts that are holding it on from the underside of the worksurface. See Figure 1.
3. Remove the four screws that are visible on the top of the worksurface. This will allow the worksurface to be removed as well. See Figure 2.
4. The plastic cable channel can be slide up out of the base of the cart, then removed by simply popping it out of the column. Figure 3 shows this. Lay the item that you want to mount to the channel along side the cable management piece. Score the piece where you would like to have the item sit in perspective to the column. Be sure add about 0.5 inches to both sides of the item to ensure cables can be routed. Cut at the scored lines.

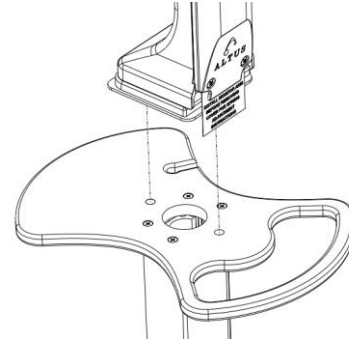


Figure 1: Removing monitor mount.



Figure 2: Removing Worksurface.

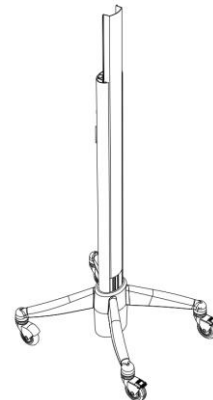


Figure 3: Remove channel

5. Mount the accessory bracket to either end of the item using the provided #10-24 screws. Loosely connect the socket cap screws and the T-nuts, such that they will be able to slide down the channels found on the column of the cart. See Figure 4.
6. Replace the lower section of the plastic channel cover such that it will bottom out in the base of the cart. Slide the accessory item into the channels of the column and tighten the socket cap screws once it is at the top of the lower piece of plastic cable covering. See Figure 5.
7. Reverse steps 3 then 2, reattaching the worksurface, then reattaching the monitor mount. Add all needed technology to the cart, and if added item is a plug strip, wire components as needed. The remaining piece of plastic cable covering can be snapped into place on the channel to conceal wires after routing is complete. See Figure 6.

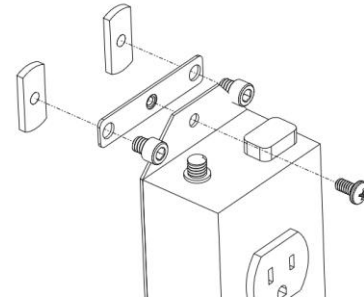


Figure 4: Mounting Accessory Bracket.

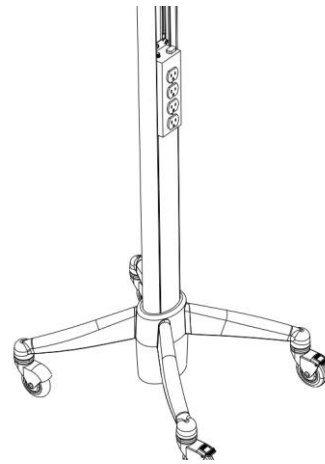


Figure 5: Mounted Accessory.

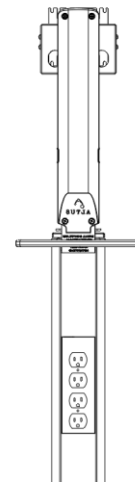


Figure 6: Reassembled Cameo.

If you have any questions, contact Altus at service@altus-inc.com or (616) 233-9530. If immediate assistance is needed, please call as soon as possible so we may help.